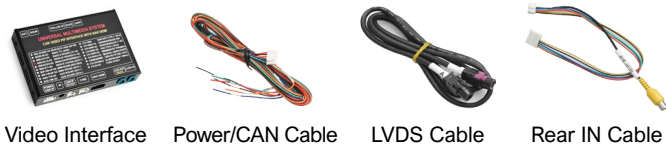


# BZR-EC12-NTG4.5 Instruction Manual

## Components



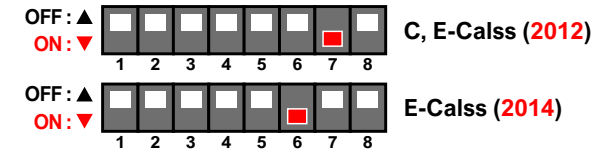
## Activation by original buttons



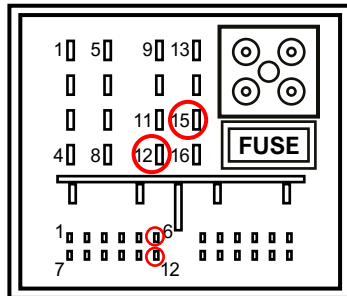
<CLR> Button :  
PIP Display On

<BACK> Button :  
Long press : Switch screen to Android.  
Short press : Switch screen to OEM Original Mode.

## DIP Switch Setting

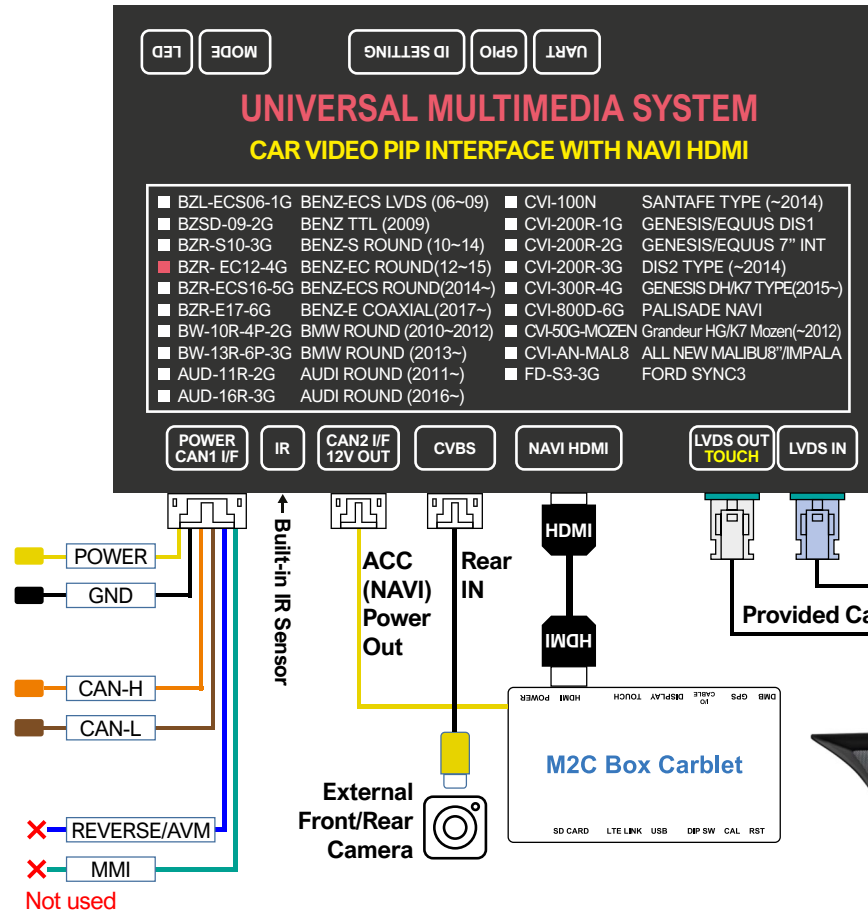


## \* CAN HIGH / LOW Pin Specification



COMAND APS NTG 4.5 Head Unit  
Original Main-Harness

- Pin#15 : B+ POWER(Red)
- Pin#12 : GND(Brown)
- Pin# 6 : MON CAN LOW(Black)
- Pin#12 : MON CAN HIGH(Black / White)



COMAND APS NTG 4.5

