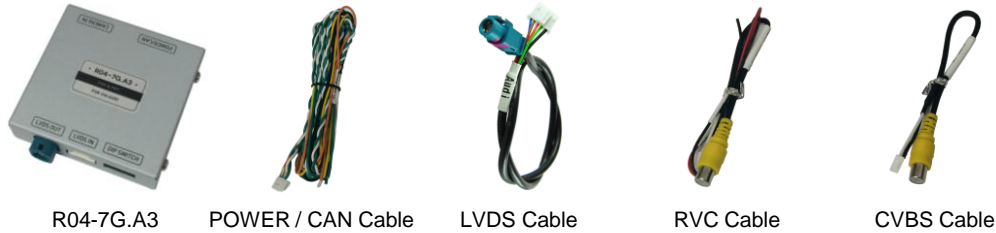


# R04-7G.A3 Rear View Camera Interface

## Components



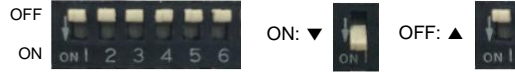
## Version Information

Model Name	R04-7G.A3
Latest Firmware Date	2016 - 04 - 08
Manual Version	Rev. 2.1
Manual Release Date	2016 - 04 - 15

Manufactured by  
**MICROCITY**

Distributed by  
**INDIWORK**  
INDIVIDUAL WORKSHOP

## DIP Switch Settings



No.	Function	Setting	No.3	No.4	No.5	No.6	Car models
No.1	Rear View CAM	ON(▼) / OFF(▲)	No.3	No.4	No.5	No.6	Car models
No.2	Front View CAM	ON(▼) / OFF(▲)	OFF(▲)	OFF(▲)	OFF(▲)	OFF(▲)	VW Golf (5.8-inch)
No.3	Selection of car model	ON(▼) / OFF(▲)	ON(▼)	OFF(▲)	OFF(▲)	OFF(▲)	VW Golf (8-inch)
No.4			ON(▼)	OFF(▲)	OFF(▲)	OFF(▲)	Golf / Polo(6.5-inch)
No.5			OFF(▲)	OFF(▲)	OFF(▲)	ON(▼)	Audi A3 (5.8-inch)
No.6			ON(▼)	OFF(▲)	OFF(▲)	ON(▼)	Audi A3 (7-inch)

## Setting Mode for Volkswagen



Steering wheel buttons

Buttons	Function
OK	Enter into the setting menu. (press the button 5 seconds)
	Select the setting menu and setting values.
	Back to previous menu.
Arrow buttons (▲, ▼, ◀, ▶)	Move the menu-pointer and Adjust the setting values.
Down arrow button(▼)	Change the mode to FVC(AV1) (press the button 2 seconds)

## Setting Mode for Audi A3



MMI Controller



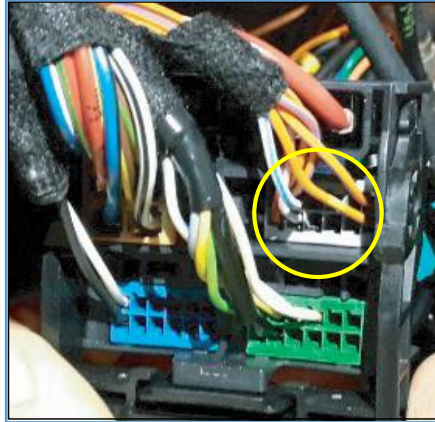
Steering wheel buttons

Button	Function
MENU	Enter into the setting menu. (press the button 5 seconds)
Selection(●)	Select the setting menu and setting values.
BACK	Back to previous menu.
Turn the dial clockwise	Move the menu-pointer and adjust the setting values to UP(↑) and RIGHT(→).
Turn the dial counterclockwise	Move the menu-pointer and adjust the setting values to DOWN(↓) and LEFT(←).
NAV	Change the mode to FVC(Front View Camera / AV1), when press the button short.
i NAV (On the steering wheel)	Change the mode to FVC(Front View Camera / AV1), when press the button 2 seconds.

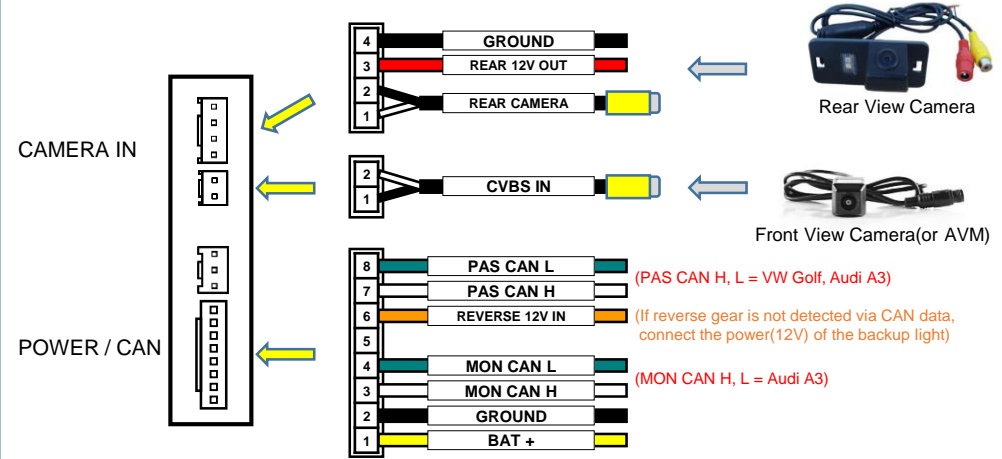
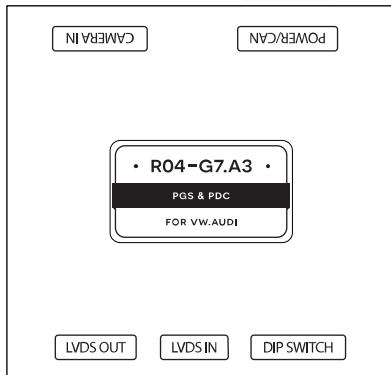
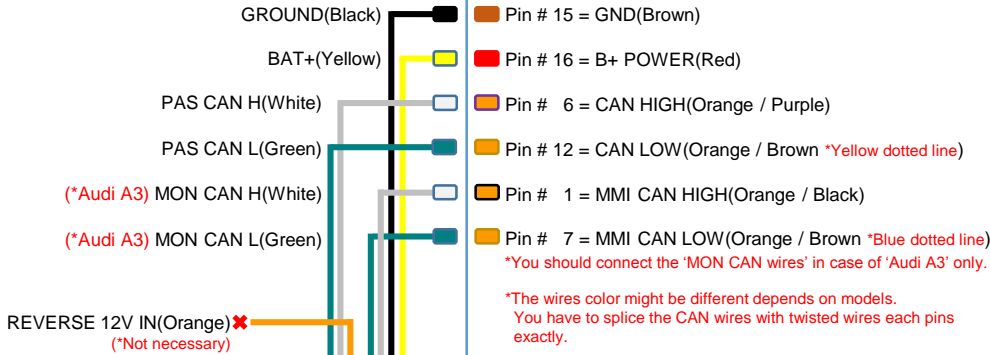
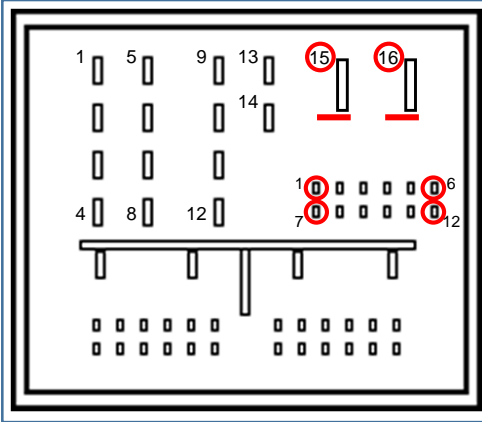
# R04-7G.A3 Rear View Camera Interface

## Installation Diagram

Head Unit(in the glovebox) – Main connector



CAN wires Information



5.8-inch screen = 'Purple' LVDS Connector  
7, 8-inch screen = 'Gray' LVDS Connector  
(\*'Yellow' Connector of head unit is not LVDS connector.)

