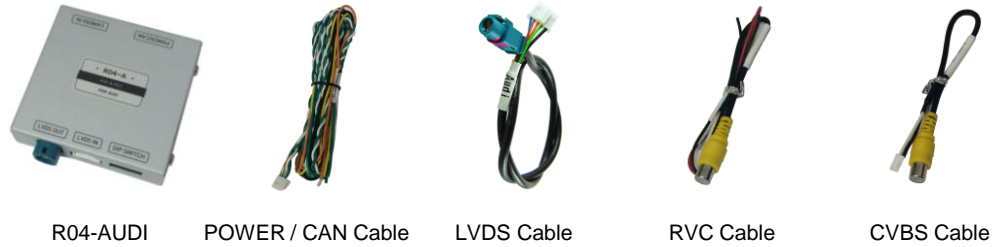


R04-AUDI Rear-View Camera Interface

Components



Version Information

Model Name	R04-AUDI
Latest Firmware Date	2015 – 11 - 05
Manual Version	Rev. 1.8
Manual Release Date	2016 – 04 - 14

Manufactured by
MICROCITY

Distributed by
INDIWORK
INDIVIDUAL WORKSHOP

Setting mode



MMI 3G Plus Controller

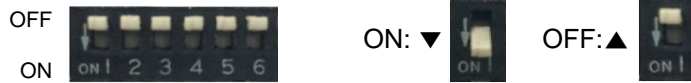


MMI 3G Controller

Button	Function
MENU	Enter into the setting menu. (press the button 5 seconds)
Selection(●)	Select the setting menu and setting values.
BACK	Back to previous menu.
Turn the dial clockwise	Move the menu-pointer and adjust the setting values to UP(↑) and RIGHT(→).
Turn the dial counterclockwise	Move the menu-pointer and adjust the setting values to DOWN(↓) and LEFT(←).
NAV	Change the mode to FVC(Front View Camera / AV1), when press the button short.
i NAV (On the steering wheel)	Change the mode to FVC(Front View Camera / AV1), when press the button 2 seconds.

R04-AUDI Rear-View Camera Interface

Dip Switch Settings



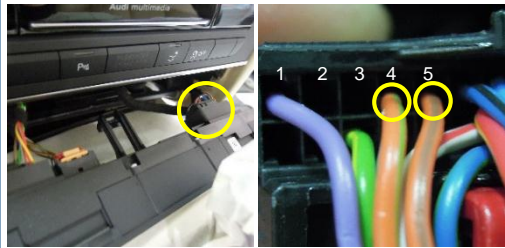
Pin No.	Function	ON(▼) / OFF(▲)
1	Rear View CAM	ON(▼) / OFF(▲)
2	Front View CAM	ON(▼) / OFF(▲)
3	Selection of car model	ON(▼) / OFF(▲)
4		
5		
6		

No.3	No.4	No.5	No.6	Car Models	CAN wires Information
OFF(▲)	OFF(▲)	OFF(▲)	OFF(▲)	A6, A7, A8 / 2012~ (8-inch / 800*480)	HS CAN = Climate controller
OFF(▲)	ON(▼)	OFF(▲)	OFF(▲)	A4 / 2010 (7-inch / 800*480)	HS CAN = Climate controller LS CAN = Gateway+BEM
OFF(▲)	OFF(▲)	OFF(▲)	ON(▼)	A4 / 2011 , Q5 / 2012 (7-inch / 800*480)	HS CAN = Climate controller LS CAN = Gateway+BEM
OFF(▲)	OFF(▲)	ON(▼)	OFF(▲)	A4, A5 / 2012~ (7-inch / 800*480)	HS CAN = Climate controller
OFF(▲)	OFF(▲)	ON(▼)	ON(▼)	Q3 / 2012~2013 (7-inch / 800*480)	HS CAN = Climate controller LS CAN = LWR Steuergerät
OFF(▲)	ON(▼)	ON(▼)	ON(▼)	Q3 / 2014~ (7-inch / 800*480)	HS CAN = Climate controller LS CAN = LWR Steuergerät
ON(▼)	ON(▼)	OFF(▲)	OFF(▲)	Q3 / 2014~ (6.5-inch / 400*240)	HS CAN = Climate controller
ON(▼)	OFF(▲)	OFF(▲)	OFF(▲)	Q5 / 2009~2012 Q7 / 2010	HS CAN = Climate controller (7-inch / 800*480)
ON(▼)	OFF(▲)	ON(▼)	OFF(▲)	A6 / 2012~ (6.5-inch / 400*240)	HS CAN = Climate controller
ON(▼)	OFF(▲)	OFF(▲)	ON(▼)	Q5 / 2013 (7-inch / 800*480)	HS CAN = Climate controller
ON(▼)	OFF(▲)	ON(▼)	ON(▼)	A1 / 2015~ (6.5-inch / 800*480)	HS CAN = Climate controller LS CAN = LWR Steuergerät
OFF(▲)	ON(▼)	OFF(▲)	ON(▼)	Q7 / 2013~ (7-inch / 800*480)	HS CAN = Climate controller
OFF(▲)	ON(▼)	ON(▼)	OFF(▲)	A6 / 2010~2011 (7-inch / 800*480)	HS CAN = Climate controller

R04-AUDI Rear-View Camera Interface

Installation Diagram

HS CAN HIGH & LOW <A4, A5, A6, A7, A8, Q5, Q7>

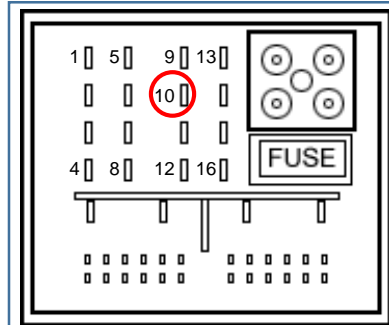


Climate Controller - 20-Pin connector

- Pin # 4 = CAN HIGH(Orange / Blue)
- or (Orange / Light Green)
- Pin # 5 = CAN LOW(Orange / Brown)

*Some vehicles should be connected the 'LS CAN wires'.

MMI DATA wire Information



MMI Head Unit - Main Connector

- Pin # 10 = MMI DATA(Yellow / White) or (Light Green)

HS CAN H(White)
HS CAN L(Green)

AUDI MMI(Green)

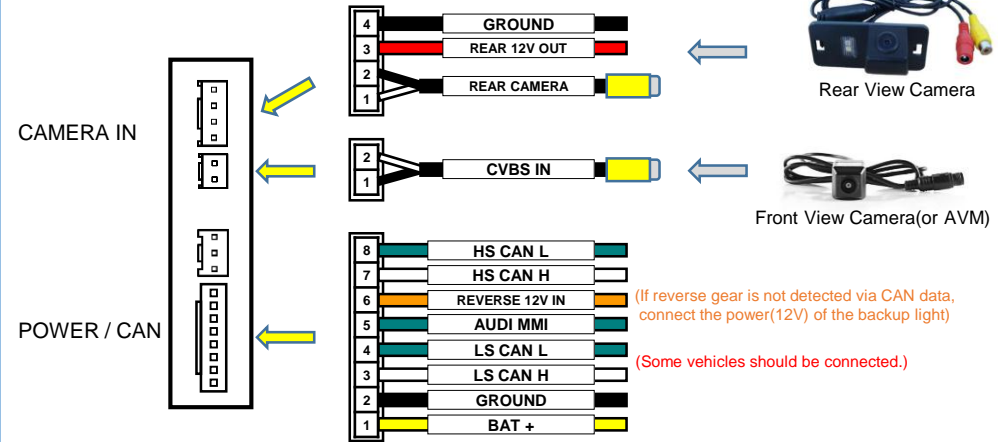
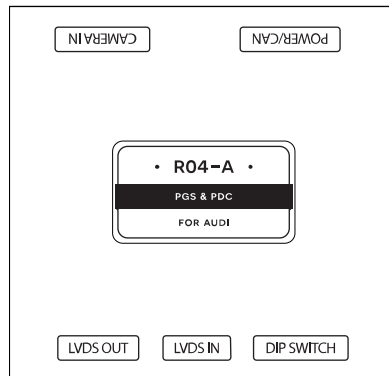
✘ LS CAN H, L(*Please refer to next page.)

GROUND(GND)

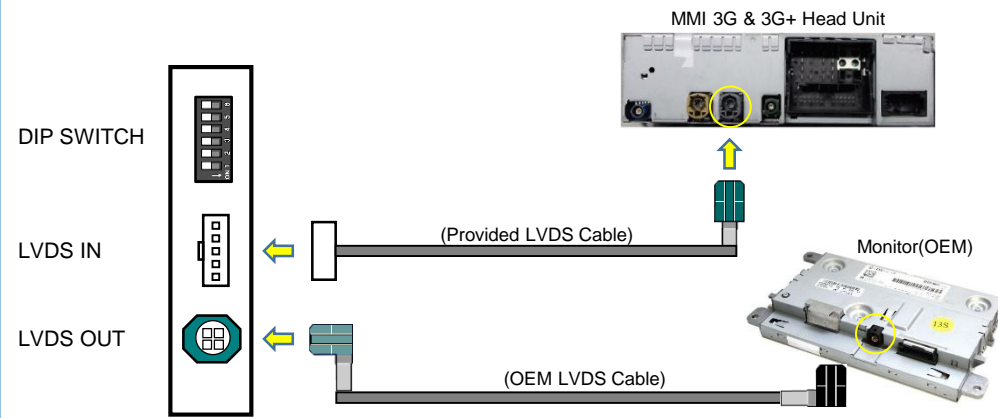
REVERSE 12V IN(Orange) ✘
(*Not necessary)

BAT+(12V POWER)

POWER / CAN Cable



(If reverse gear is not detected via CAN data, connect the power(12V) of the backup light)
(Some vehicles should be connected.)

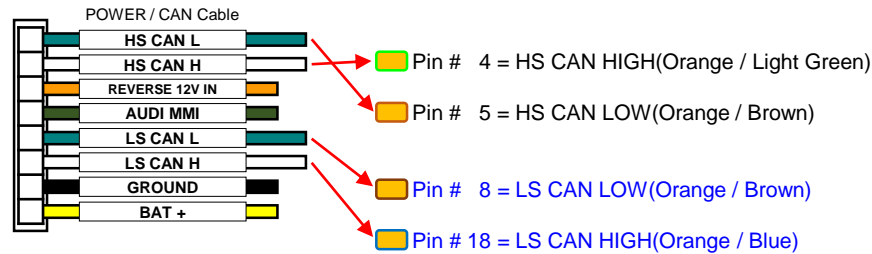
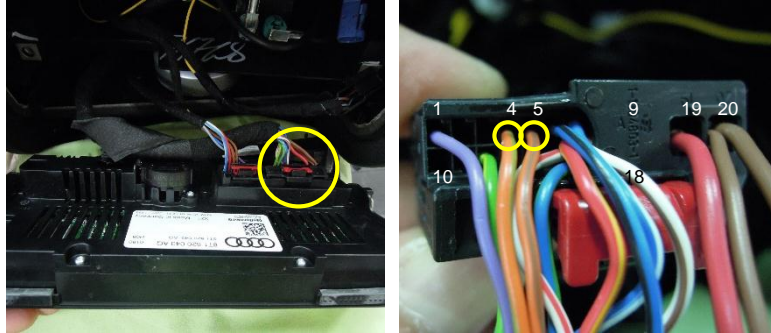


R04-AUDI Rear-View Camera Interface

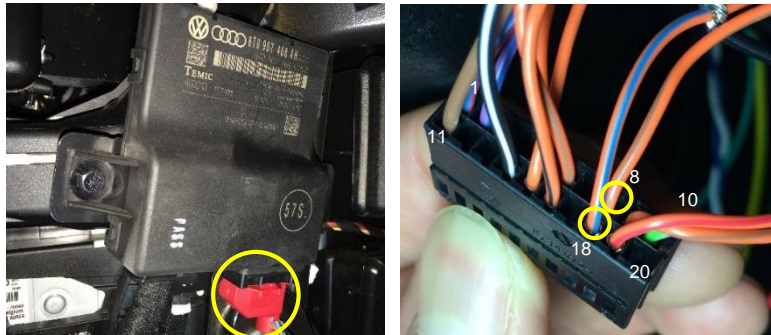
CAN wires information(exceptions)

< 2010, 2011 Audi A4 >

Climate Controller – 20-Pin Connector

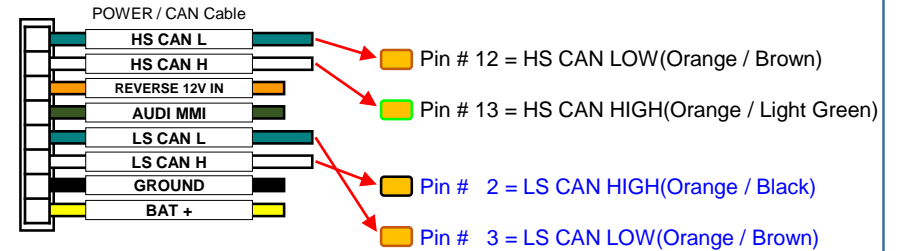
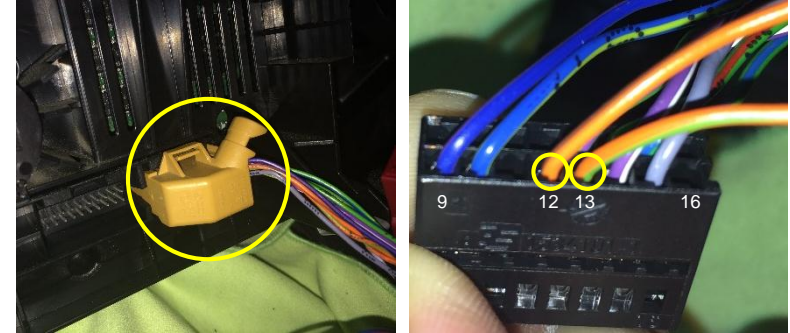


Gateway+BEM Module(on the left of the glovebox) – 20-pin Connector

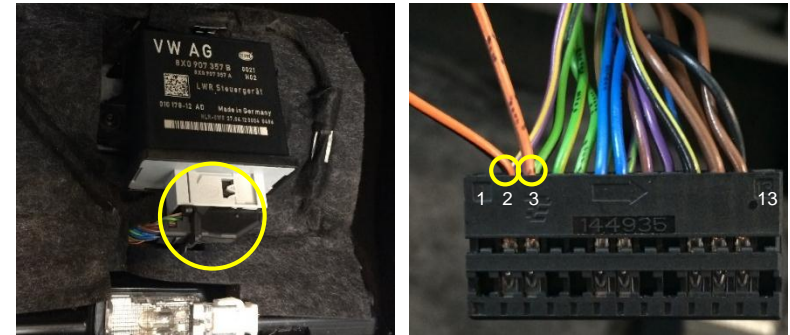


< 2012~ Audi Q3 >

Climate Controller – 16-pin Connector



LWR Steuergerät Module(on the glovebox) – 26-Pin Connector
(*In case of Q3 / '6.5-inch' model, you do not need to connect LS CAN H, L and MMI wires.)

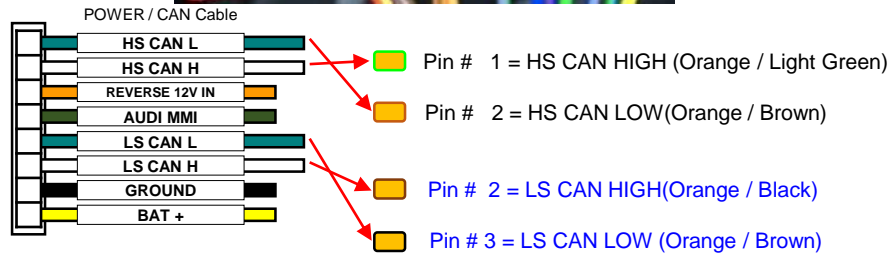
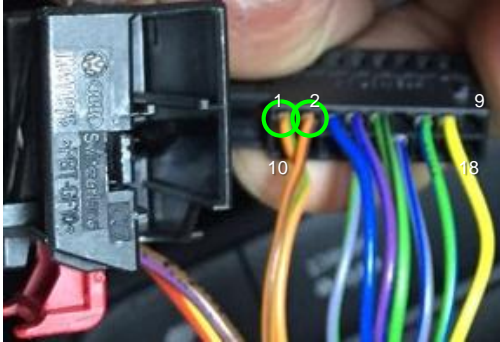


- Normally, general models of Audi should be just connected the 'PAS CAN High, Low wires' at the climate controller.
- But, some models have different CAN-BUS data. Please refer to above pictures and connect the CAN wires.

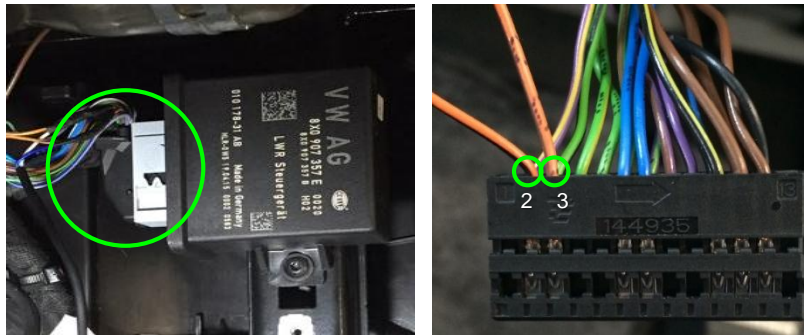
CAN wires information(exceptions)

< 2015 Audi A1>

Climate Controller – 20-Pin Connector



LWR Steuergerät Module(on the glovebox) – 26-Pin Connector



- Normally, general models of Audi should be just connected the 'HS CAN High, Low wires' at the climate controller.
- But, some models have different CAN-BUS data. Please refer to above pictures and connect the CAN wires.