

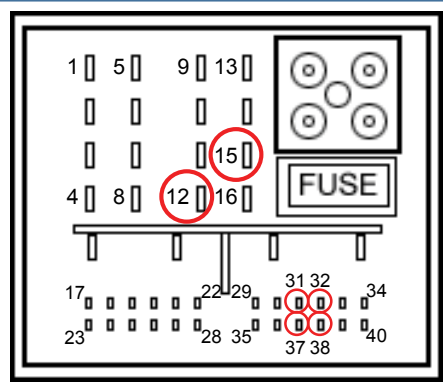
Can Mouse V.1 Instruction Manual

Model Name	Can Mouse V.1
Latest Firmware Date	2015 - 10 - 15
Manual Version	Rev. 1.0
Release Date	2015 - 10 - 15

Full Installation Diagram

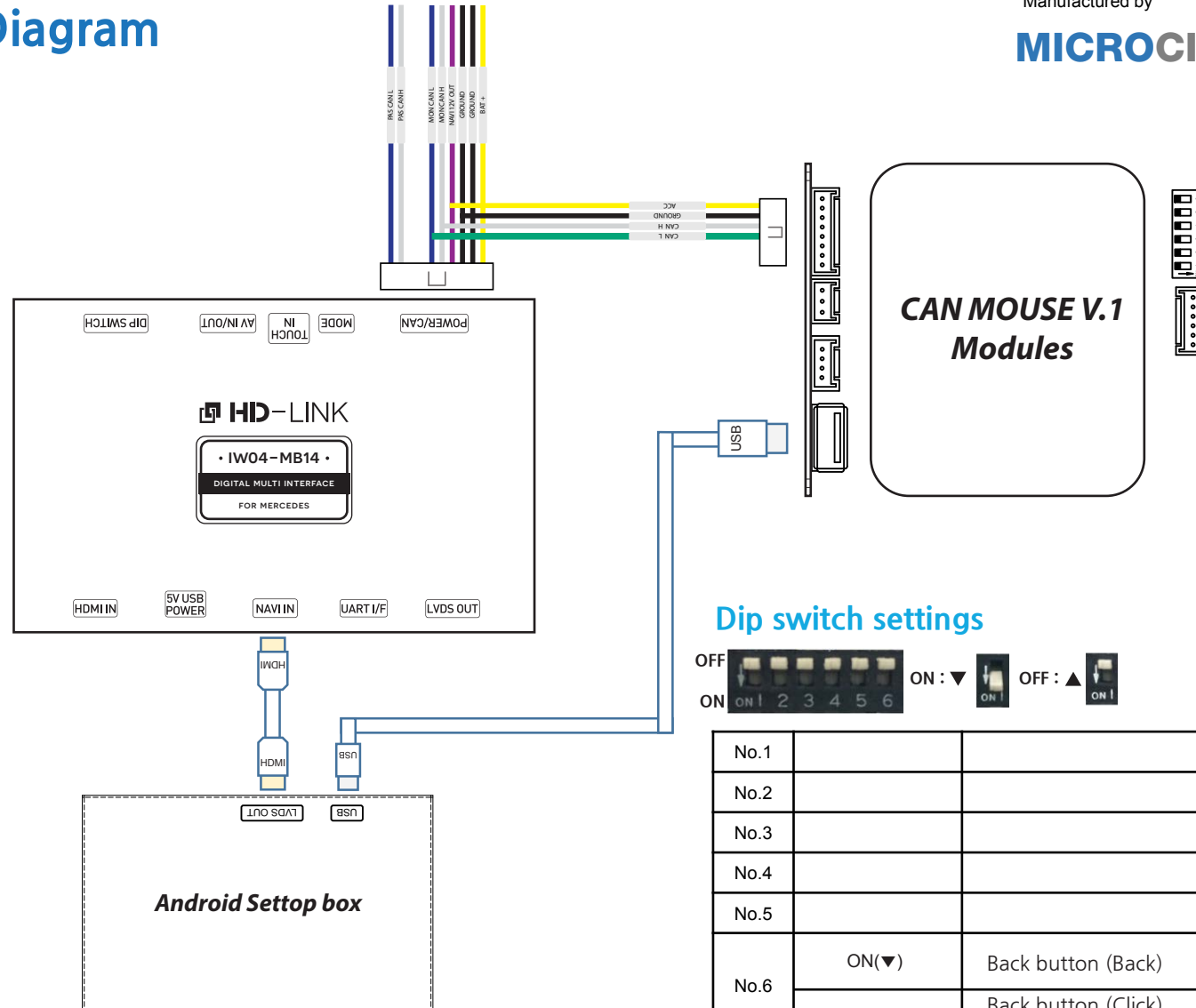
Manufactured by **MICROCITY** Distributed by **INDIWORK**
INDIVIDUAL WORKSHOP

※ CAN HIGH / LOW Pin Specification

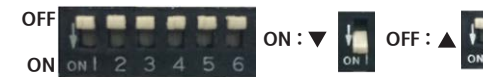


COMAND APS NTG 5.0
Original Main-Harness

- Pin # 12 = GND(Brown)
- Pin # 15 = B+ POWER(Red)
- Pin # 31 = PAS CAN LOW(Yellow)
- " (Brown) *CLS-Class
- Pin # 37 = PAS CAN HIGH(Yellow/White)
- " (Brown/Red)*CLS-Class
- Pin # 32 = MON CAN LOW(Black)
- Pin # 38 = MON CAN HIGH(Black / White)



Dip switch settings



No.1		
No.2		
No.3		
No.4		
No.5		
No.6	ON(▼)	Back button (Back)
	OFF(▲)	Back button (Click), ★ button (Back)

METHOD OF USE



Click

Touch two times



Two-finger scroll

Slide two fingers up or down the touch pad to scroll through documents, websites, and more.



Swipe to navigate

Touch one time and sliding

Flip through web pages, documents, and more like thumbing pages in a book.

Manufactured by

MICROCITY

Distributed by

INDIWORK
INDIVIDUAL WORKSHOP

METHOD OF USE



Click

Press back button



Back

Press back button
Tap to return to the previous screen



Back

Press back button
Tap to return to the previous screen



Manufactured by

MICROCITY

Distributed by

INDIWORK
INDIVIDUAL WORKSHOP